

NOTE:
 1. 300 Ω LOAD ON ANTENNA TERMINALS.
 2. SONIC MONITOR IN LISTEN POSITION.

SONIC MONITOR SWITCH
 POSITION 1 MONITOR
 POSITION 2 LISTEN

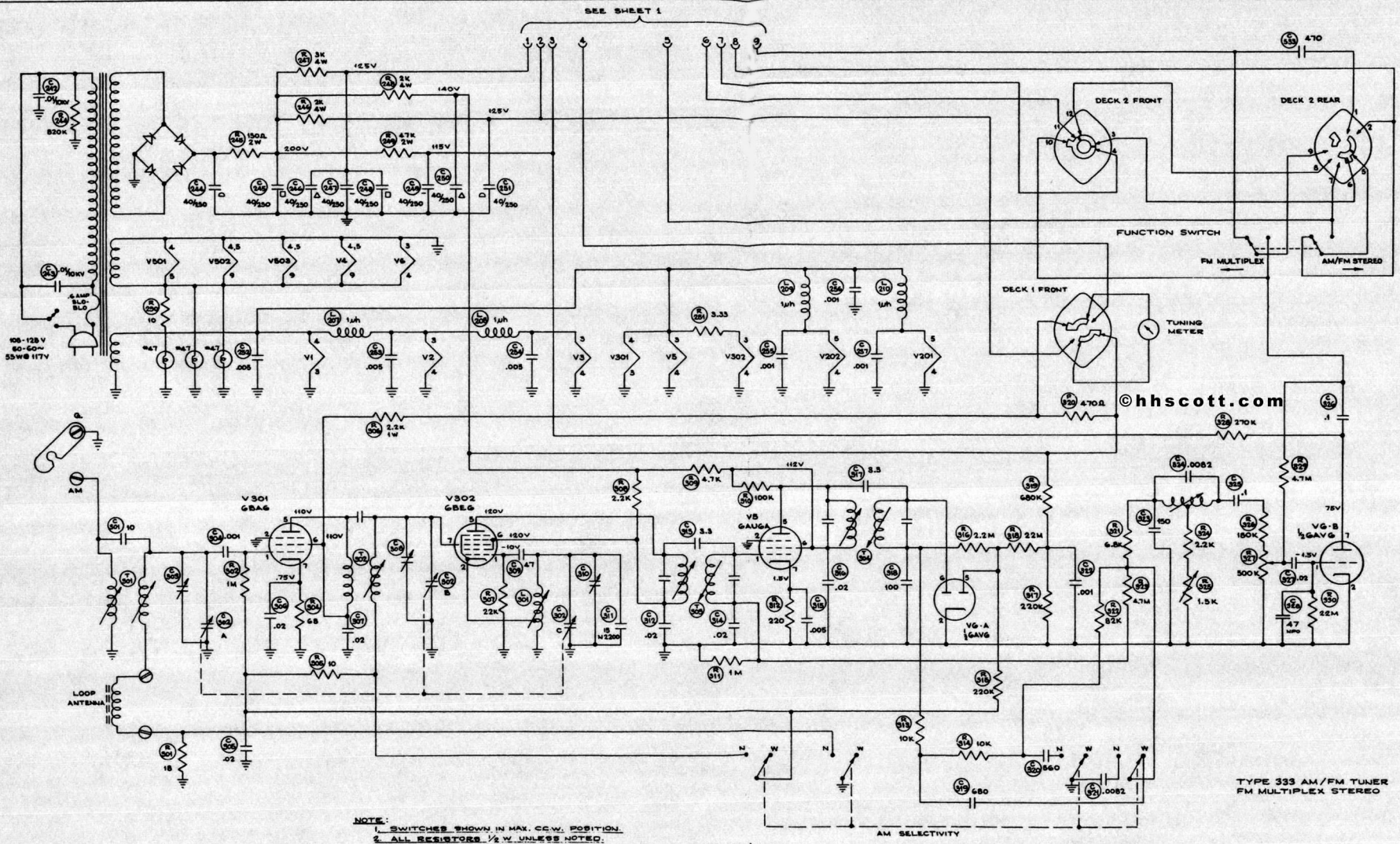
TYPE 333 AM/FM TUNER
 FM MULTIPLEX STEREO

SHEET 1 OF 2

REVISIONS
 1. 6/8/62
 2. 6/8/62
 3. 6/8/62
 4. 6/8/62
 5. 6/8/62
 6. 6/8/62
 7. 6/8/62
 8. 6/8/62
 9. 6/8/62
 10. 6/8/62

C532, R336, R344, C241; L310, T104, L554; T302

SCALE: ~	333 CIRCUIT DIAGRAM	6/8/62
H. H. SCOTT, INC. MAYNARD, MASS. U. S. A.		
DR. D. S.	ENG.	DWG.
CH. 212	PROD.	NO. D-333-C1
		SUB. 2



NOTE:
 1. SWITCHES SHOWN IN MAX. CC.W. POSITION.
 2. ALL RESISTORS 1/2 W UNLESS NOTED.
 3. ALL VOLTAGES DC ±15% MEASURED WITH V.O.M. (50,000 OHM/VOLT).
 4. NO SIGNAL AND IFTV LINE.

FUNCTION SWITCH POSITION

POSITION	FUNCTION
1	AM
2	FM MONO
3	STEREO
4	SUB CH. FILTER

TYPE 333 AM/FM TUNER
 FM MULTIPLEX STEREO

SCALE: ~	333 CIRCUIT DIAGRAM	6/9/62
H. H. SCOTT, INC. MAYHARD, MASS. U. S. A.		
DR. D.M.	ENG.	DWG.
CH. J.K.	PROD.	NO. D-333-C1
		SUB. 2